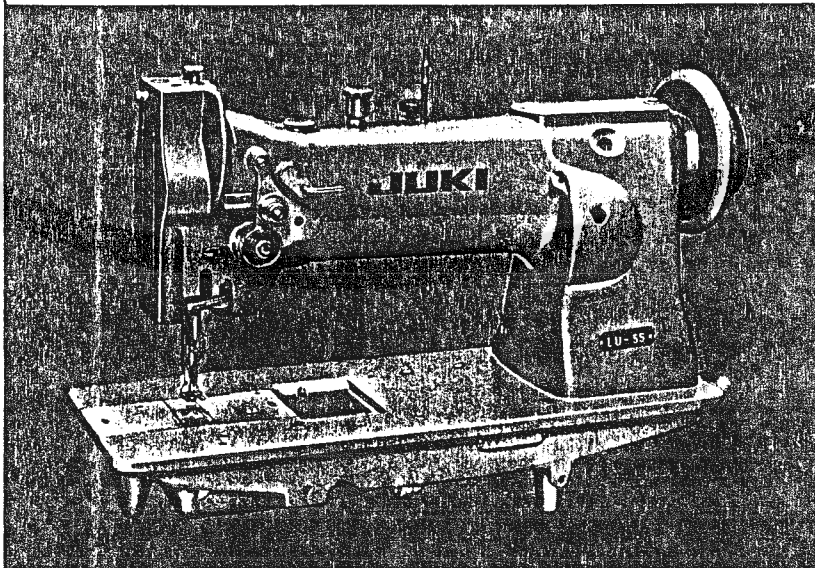


STOP

LU-55
LU-53

PARTS LIST OF MODEL

High Speed, Single Needle, Lock Stitch, UNISON FEED Industrial Sewing Machine



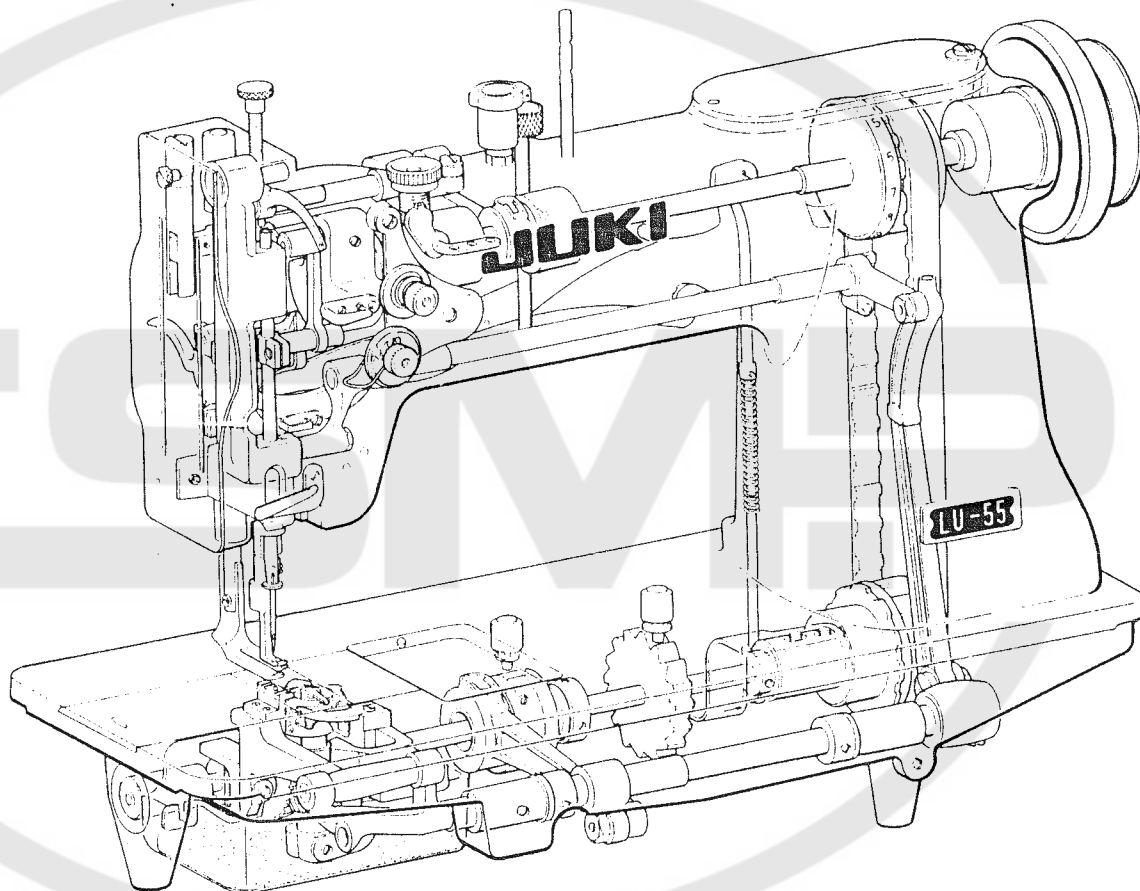
HOW TO MAKE USE OF THIS PARTS LIST

1. This is a consolidated PARTS LIST of Model LU-55. 53
2. This list is divided, as a principle, into various sections according to the functions of parts and also contains illustrations to assist you visually.
For example: If you want some parts for the Upper Main Shaft Components, just refer to the section on 'UPPER MAIN SHAFT Components' etc.
3. Numbers in the first column are reference numbers only, and merely indicate the position of that part in the illustration. Reference numbers should never be used in ordering parts. Always use the part number listed in the second column.
4. At the back of the list will be found a numerical index of all the parts shown in this list. This will facilitate locating the illustration and description when only the part number is known.

NOTE: The large Gothic number on the top line of Reference No. are the new, current parts numbers.

The small parts number shown just below this line is now obsolete.

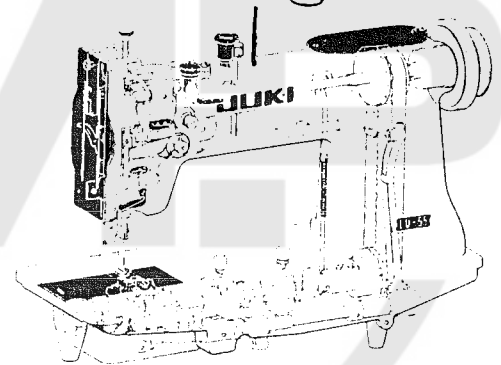
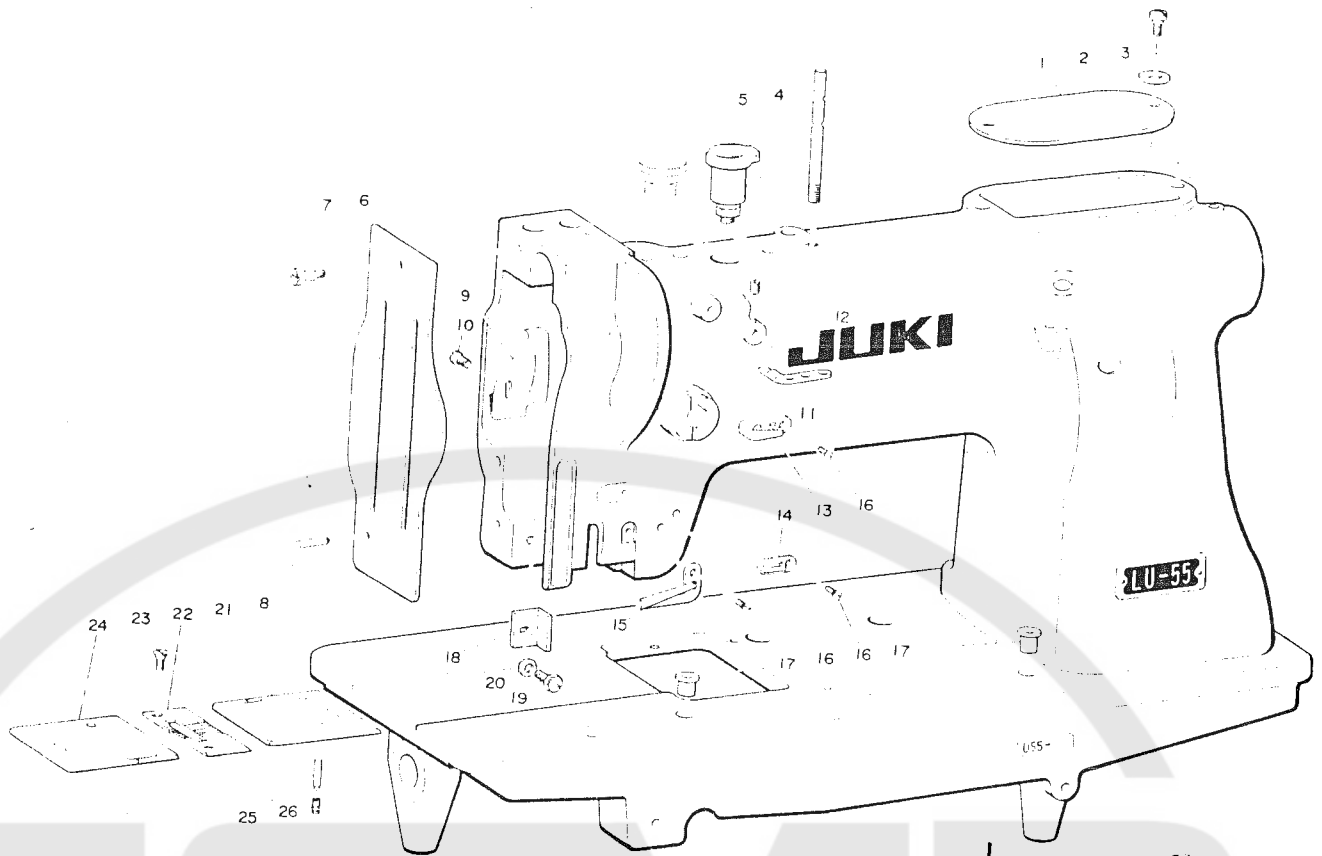
For example: Ref. No. 1 B-1204-051-000 New number
511204 Obsolete Number



CONTENTS

| | Page |
|---|------|
| 1 MAIN FRAME & MISCELLANEOUS COVER COMPONENTS | 1 |
| 2 UPPER MAIN SHAFT COMPONENTS | 2 |
| 3 NEEDLE BAR FRAME COMPONENTS | 3 |
| 4 VIBRATING PRESSER BAR ROCK SHAFT COMPONENTS | 4 |
| 5 PRESSER BAR & KNEE LIFTER COMPONENTS | 5 |
| 6 SAFETY CLUTCH MECHANISM COMPONENTS | 6 |
| 7 SAFETY CLUTCH MECHANISM COMPONENTS, EXCLUSIVE FOR MODEL LU-53 | 7 |
| 8 FEED ROCK SHAFT COMPONENTS | 8 |
| 9 FEED ROCK SHAFT COMPONENTS, EXCLUSIVE FOR MODEL LU-53 | 9 |
| 10 SEWING HOOK SHAFT COMPONENTS | 10 |
| 11 THREAD CONTROLLER COMPONENTS | 11 |
| 12 NUMERICAL INDEX OF PARTS | 12 |

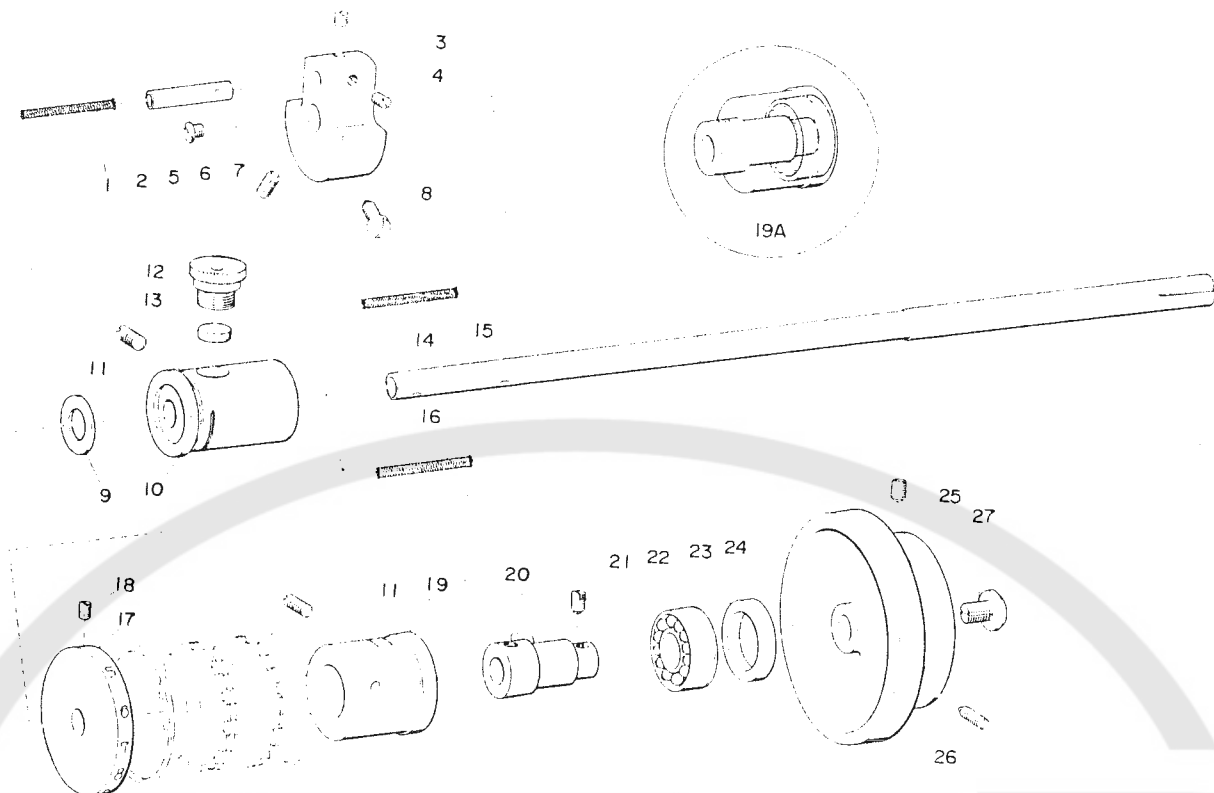
MAIN FRAME & MISCELLANEOUS COVER COMPONENTS



| Ref. No. | Part No. | Description | Amt. Req. |
|----------|--------------------------|-----------------------------|-----------|
| 1 | B 1150-051-000 511150 | Top cover | 1 |
| 2 | B 1152-051-000 511152 | . . . Washer | 1 |
| 3 | SD 0630241 SD D06301 | . . . Screw | 1 |
| 4 | B-1114-051-000 511114 | Needle thread guide pin | 1 |
| 5 | B-1155-053-000 531155 | Oil cup | 1 |
| 6 | B 3101-053-000 533101 | Face plate | 1 |
| 7 | B-3106-019-000 193106 | . . . Screw | 1 |
| 8 | B-1103-051-000 511103 | . . . Pin | 1 |
| 9 | B-1140-051-000 511140 | Thread take-up oil splasher | 1 |
| 10 | SS-3090610-SP 0978ph | . . . Screw | 1 |
| 11 | B-1128-051-000 511128 | Three-hole thread eyelet | 1 |
| 12 | SS-8110510-SP 1151ph | . . . Screw | 1 |
| 13 | B-1129-051-000 511129 | Frame thread guide, upper | 1 |
| 14 | B-1130-051-000 511130 | Frame thread guide, middle | 1 |

| Ref. No. | Part No. | Description | Amt. Req. |
|----------|-----------------------------|---------------------------|-----------|
| 15 | B 1131 051 000 511131 | Frame thread guide, lower | 1 |
| 16 | SS 2090710 SP 0904ph | . . . Screw | 4 |
| 17 | B 1157-009-000 91157 | Bed oil cup | 2 |
| 18 | B-1423-051-000 511423 | Needle bar frame guide | 1 |
| 19 | SS 9111010 SK 1182fh | . . . Screw | 1 |
| 20 | WP-0480856-SP W481ph | . . . Washer | 1 |
| 21 | B 1113 053 000 531113 | Bed slide, right | 1 |
| 22 | B 1109 053 000 531109 | Throat plate | 1 |
| 23 | SS 2110910-SP 1101ph | . . . Screw | 1 |
| 24 | B-1112-053-000 531112 | Bed slide, left | 1 |
| 25 | B-1105-051-000 511102(2) | Pin, for bed slide, right | 1 |
| 26 | B 1106-051-000 511102(3) | . . . Spring | 1 |
| 27 | B 1104-051-000 511102(1) | Pin, for throat plate | 1 |

UPPER MAIN SHAFT COMPONENTS



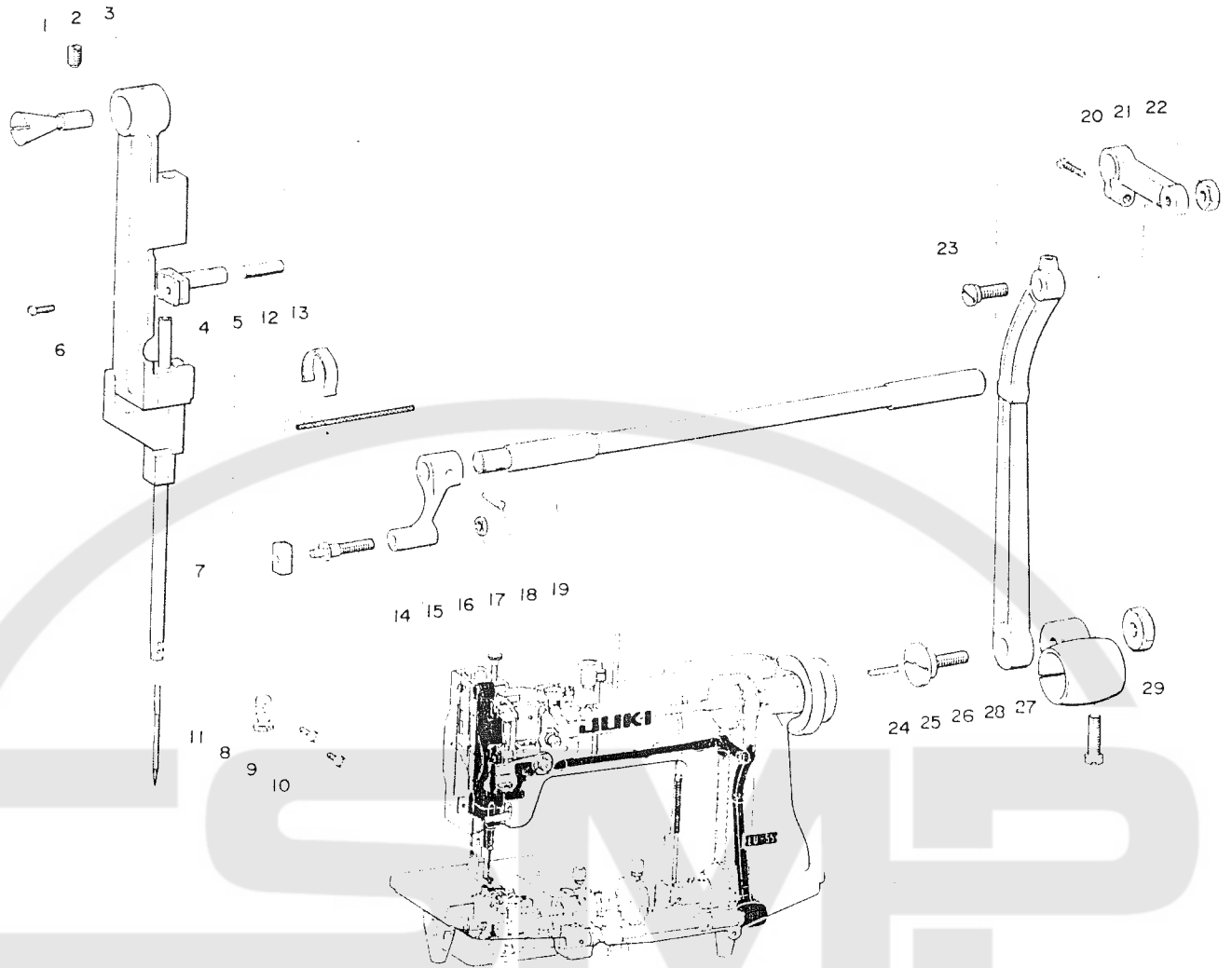
| Ref. No. | Part No. | Description | Amt. Req. |
|----------|--------------------------|-----------------------------------|-----------|
| 1 | B 1204-051 000 511204 | Needle bar crank pin oil wick | 1 |
| 2 | B-1210-051-000 511210 | Needle bar crank pin | 1 |
| 3 | SS-8688053-SK 6857fh | ... Screw (1) | 1 |
| 4 | SS-8680730 SK 6853fh | ... Screw (2) | 1 |
| 5 | B-1207-051-000 511207 | Plug screw, for upper main shaft | 1 |
| 6 | B-1206-051-000 511206 | Counterweight | 1 |
| 7 | SS 8681650 TP 6851ph | ... Screw | 1 |
| 8 | SS-7681750 TP 6822ph | ... Screw (S) | 1 |
| 9 | B-1205-051-000 511205 | Thrust washer, for front bushing | 1 |
| 10 | B-1202-051-000 511202 | Upper main shaft front bushing | 1 |
| 11 | SS-8151350-SP 1551ph | ... Screw | 2 |
| 12 | B-3501-051-000 513501 | ... Oil filler sleeve | 1 |
| 13 | B-1203-051-000 511203 | ... Oil felt | 1 |
| 14 | B-1204-051-000 511204 | ... Oil wick | 1 |
| *15 | B-1201-051-000 511201 | Upper main shaft | 1 |
| 16 | B-1204-051-000 511204 | ... Oil wick | 1 |
| 17 | B-1220-055-M00 | Stitch graduator | 1 |
| 18 | SS-8151230-SP 1557ph | ... Screw | 2 |
| 19 | B-1216-051-000 511216 | Upper main shaft rear bushing (1) | 1 |

| Ref. No. | Part No. | Description | Amt. Req. |
|----------|-----------------------------|--|-----------|
| 20 | B 1217 051 000 511216(2) | Upper main shaft rear bushing (2) | 1 |
| 21 | SS 8150710 SP 1555ph | ... Screw | 2 |
| 22 | B 1219-051 000 511219 | Upper main shaft rear bearing | 1 |
| 23 | B 1218-051 000 511218 | Upper main shaft rear bearing retaining collar | 1 |
| *24 | B-1227-051 000 511227 | Hand wheel | 1 |
| 25 | SS 8152030-SP 1556ph | ... Screw | 1 |
| 26 | SS 8151780 SP 1567ph | ... Screw (S) | 1 |
| 27 | B-1233 012 000 | ... Adjusting screw | 1 |

EXCLUSIVE PARTS FOR MODEL LU-53

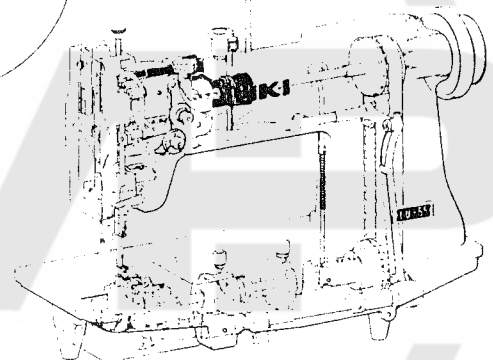
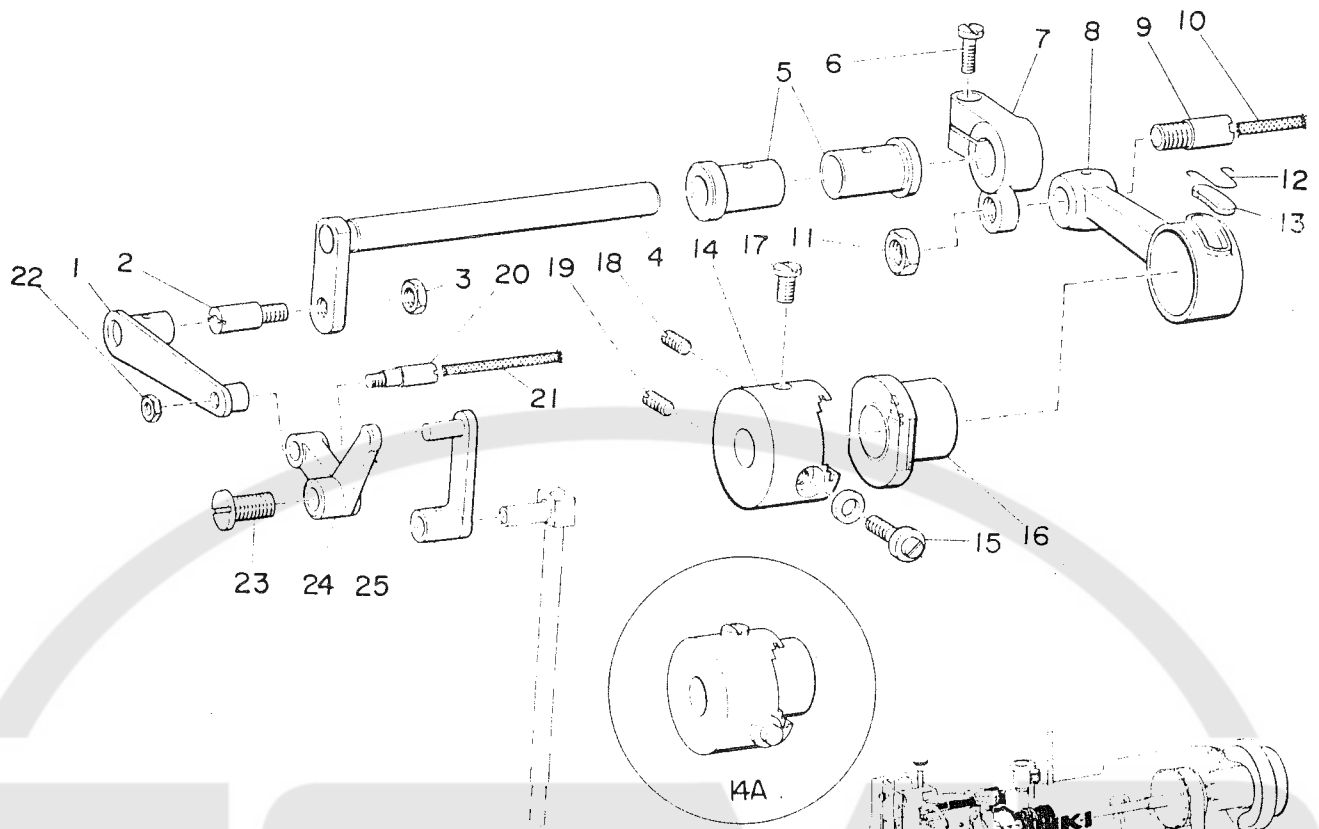
| | | | |
|----|--------------------------|------------------|---|
| 15 | B 1201 053 000 531201 | Upper main shaft | 1 |
| 24 | B 1227-053 000 531227 | Hand wheel | 1 |

NEEDLE BAR FRAME COMPONENTS



| Ref. No. | Part No. | Description | Amt. Req. | Ref. No. | Part No. | Description | Amt. Req. |
|----------|---------------------------|---------------------------------------|-----------|----------|---------------------------|--|-----------|
| 1 | B 1421-051-000 511421 | Needle bar frame taper stud | 1 | 16 | B 1428-051-000 511428 | Needle bar frame rock shaft | |
| 2 | SS 8151160-SK 1563fh | • • • Screw | 1 | 17 | NS 6620310 SP N621ph | Lock nut, for slide block stud | 1 |
| 3 | B 1420-053-000 531420 | Needle bar frame | 1 | 18 | PT 0301600 SO TP3016 | Knock pin, for front crank | 1 |
| 4 | B-1411-053-000 531411 | Needle bar connection | 1 | 19 | B 1429-051-000 511429 | Needle bar frame rock shaft | 1 |
| 5 | B-1412-051-000 511412 | • • • Oil felt | 1 | 20 | SS 6151440 SP 1525ph | Screw, for rear crank | 1 |
| 6 | SS-7090910-SP 0941ph | • • • Screw | 1 | 21 | B 1431-051-000 511431 | Needle bar frame rock shaft rear crank | 1 |
| 7 | B 1401-053-000 531401 | Needle bar | 1 | 22 | NS 6160520-SP N161ph | • • • Lock nut, for hinge screw | 1 |
| 8 | B-1419-053-000 531419 | Needle bar thread guide | 1 | 23 | SD 0790801-SP D979403h | • • • Hinge screw | 1 |
| 9 | SS-7060310-SP 0622ph | • • • Screw | 1 | 24 | B 1204-051-000 511204 | Oil wick, for driving rod | 1 |
| 10 | SS 7080510 SP 0828ph | Screw, for needle | 2 | 25 | SD 0950801-SP D095002h | Hinge screw, for driving rod crank | |
| 11 | MD-1300-2300 | Needle (DI:3, 29/1, #23) | 1 | 26 | B 1434-051-000 511434 | Needle bar frame rock shaft driving rod | 1 |
| 12 | B-1438-051-0A0 511438S | Oil wick assembly, for front crank | 1 | 27 | B 1435-051-000 511435 | Needle bar frame rock shaft driving rod crank | 1 |
| 13 | B-1437-051-000 511437 | Oil wick retainer, for front crank | 1 | 28 | SS-7151210 SP 1522ph | • • • Clamp screw | 1 |
| 14 | B-1425-051-000 511425 | Needle bar frame slide block | 1 | 29 | NS 6700420 SP N705ph | • • • Nut | 1 |
| 15 | B 1426-051-000 511426 | Needle bar frame slide block stud | 1 | | | | |

VIBRATING PRESSER BAR ROCK SHAFT COMPONENTS



| Ref. No. | Part No. | Description | Amt. Req. |
|----------|-----------------------------|--|-----------|
| 1 | B-1458-053-000 531458 | Vibrating presser bar rock shaft connecting link | 1 |
| *2 | B-1457-055-000 | • • • Screw stud | 1 |
| 3 | NS 6660430 SP N661ph | • • • • • Lock nut | 1 |
| 4 | B-1456-053-000 531456 | Vibrating presser bar rock shaft | 1 |
| 5 | B-1455-053-000 531455 | • • • Bushing | 2 |
| 6 | SS 7661540-SP 6623ph | Screw, for crank | 1 |
| 7 | B-1454-053-00A 531454(1) | Vibrating presser bar rock shaft crank | 1 |
| 8 | B-1453-053-000 531453 | Vibrating presser bar rock shaft connecting rod | 1 |
| 9 | B-1454-053-00B 531454(2) | Screw stud, for crank | 1 |
| 10 | B-1204-051-000 511204 | • • • Oil wick | 1 |
| 11 | NS 6660430 SP N661ph | • • • Lock nut | 1 |
| 12 | B-1702-012-000 121702 | Oil felt retainer | 1 |
| 13 | B-1213-012-000 121213 | Oil felt, for connecting rod | 1 |
| 14 | B-1450-053-000 531450 | Adjustable feed eccentric body | 1 |
| 15 | B-1452-053-000 531452 | Adjusting screw, for feed eccentric | 1 |
| 16 | B-1451-053-000 531451 | Adjustable feed eccentric | 1 |
| 17 | SS-7090610 SP 09210ph | • • • Screw | 1 |
| 18 | SS-8151280-SP 15512ph | Screw, for feed eccentric body | 1 |
| 19 | SS-8151150 SP 1552ph | Screw, for feed eccentric body | 1 |

| Ref. No. | Part No. | Description | Amt. Req. |
|----------|-----------------------------|-------------------------------------|-----------|
| 20 | B-1459-053-00B 531459(2) | L shaped link connecting screw stud | 1 |
| 21 | B-1204-041-000 511204 | • • • Oil wick | 1 |
| 22 | NS 6110310 SP N112ph | • • • Lock nut | 1 |
| 23 | B-1459-053-00A 531459(1) | L shaped link | 1 |
| 24 | B-1465-053-000 531465 | Vibrating presser bar driving link | 1 |

EXCLUSIVE PART FOR MODEL LU-53

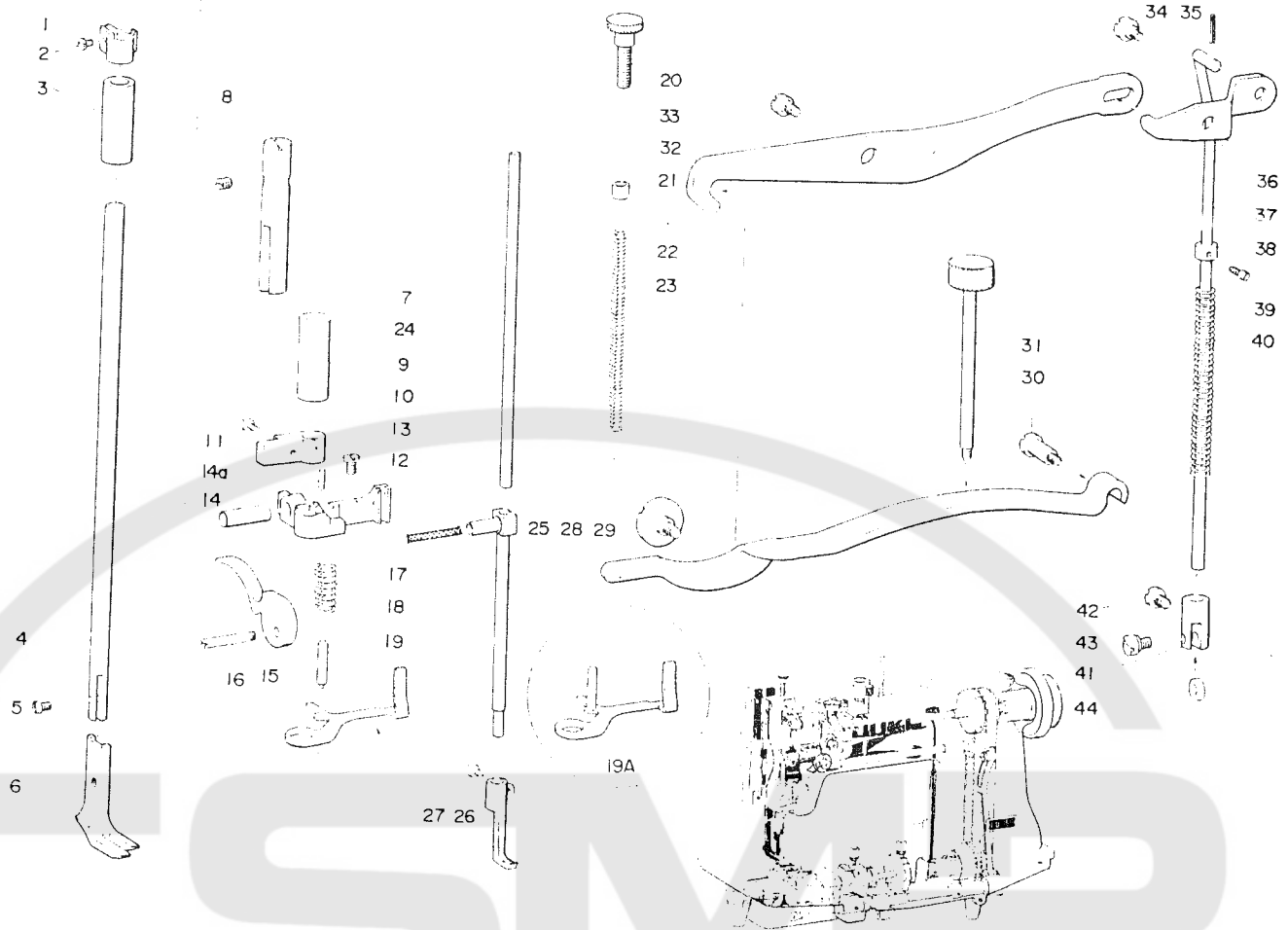
| | | | |
|---|----------------|------------|---|
| 2 | B-1457-053-000 | Screw stud | 1 |
|---|----------------|------------|---|

(Continued to page 5)

PRESSER BAR & KNEE LIFTER COMPONENTS

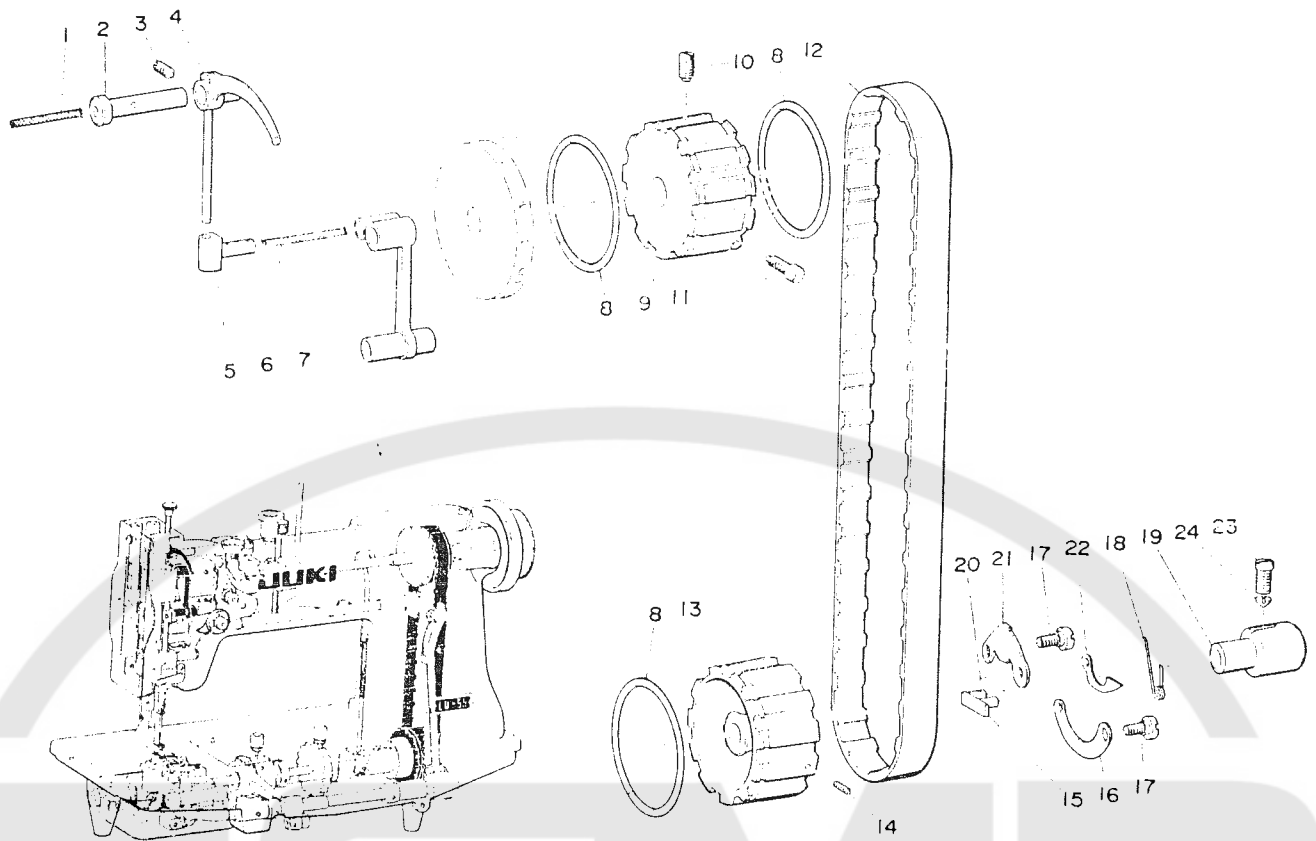
| | | | |
|---|--------------------------|--------------------------------|---|
| 1 | B-1507-051-000 511507 | Lifting presser bar connection | 1 |
| 2 | SS-7090910-SP 0941ph | • • • Screw | 1 |
| 3 | B-1503-051-A00 511503 | Lifting presser bar bushing | 1 |
| 4 | B-1501-040-000 401501 | Lifting presser bar | 1 |

PRESSER BAR & KNEE LIFTER COMPONENTS



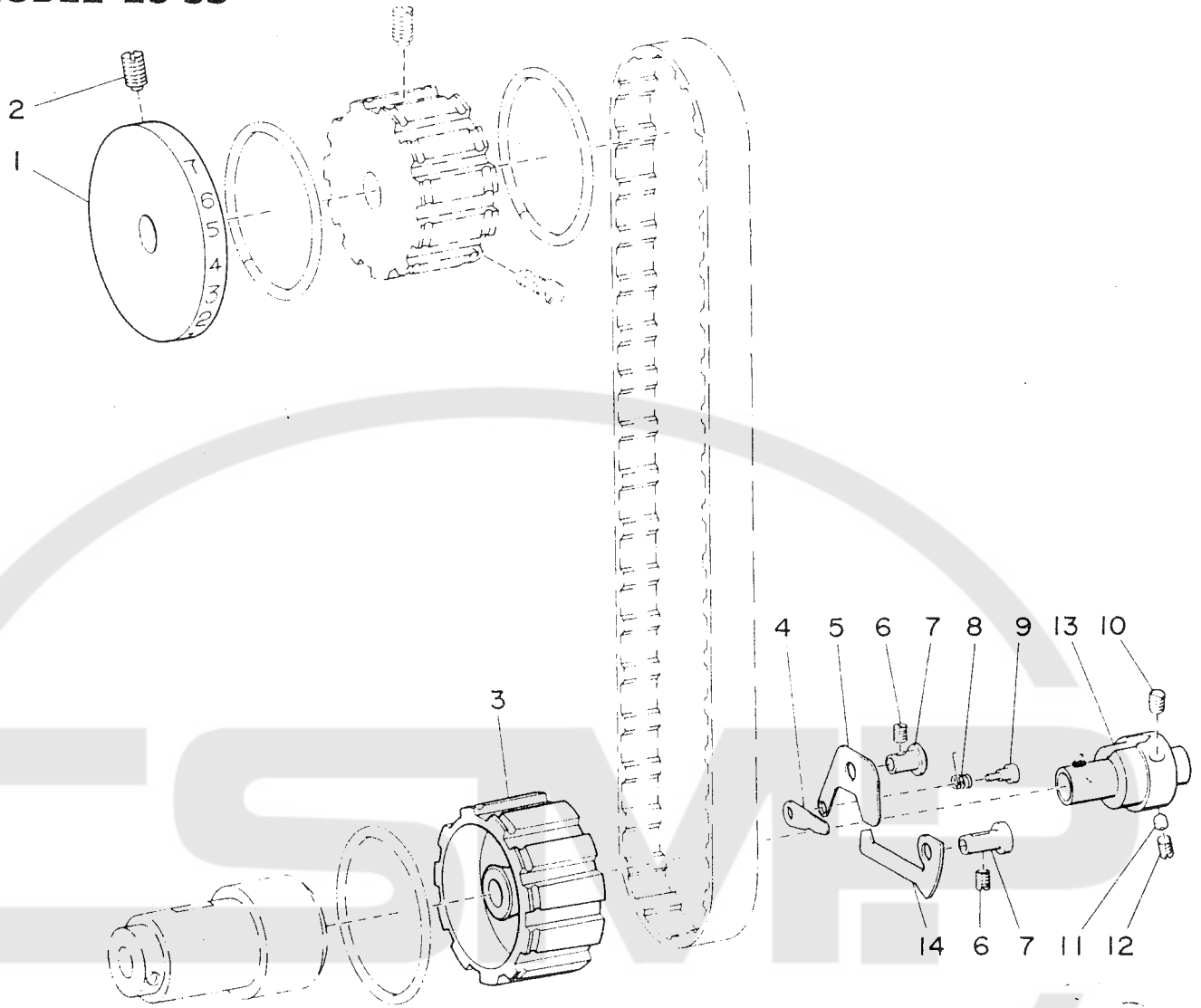
| Ref. No. | Part No. | Description | Amt. Req. | Ref. No. | Part No. | Description | Amt. Req. |
|----------|------------------------------|--|-----------|----------|------------------------------|--|-----------|
| 5 | SS 6090910 SP 0925ph | Screw, for presser foot | 1 | 25 | B 1466 053 000 531466 | Vibrating presser bar | 1 |
| 6 | B 1525-053-000 531525 | Presser foot | 1 | 26 | B 1470 053 000 531470 | Vibrating presser foot | 1 |
| 7 | B 1502-051-000 511502 | Lifting presser bar guide sleeve | 1 | 27 | SS 9090640 SP 0981ph | . . . Clamp screw | 1 |
| 8 | SS 8150750-SP 1553ph | . . . Screw | 1 | 28 | B 1505 053 000 531505 | Lifting presser bar adjusting plate spring | 1 |
| 9 | B 1503-051 B00 511503 | Lifting presser bar bushing | 1 | 29 | SD 0800481 SP D030008h | Hinge screw, for No. 12 | 1 |
| 10 | B 1504-051 000 511504 | Lifting presser bar connection | 1 | 30 | SD 0801601 SP D030013h | Screw stud, for No. 28 | 1 |
| 11 | SS 7090910 SP 0911ph | . . . Screw | 1 | 31 | B 1509 051 000 511509 | Pressure regulating thumb screw | 1 |
| 12 | B 1460 053 00A 531460 (1) | Hand lifter mounting bracket | 1 | 32 | B 3409 053 000 533409 | Knee lifter front lever | 1 |
| 13 | SS 7111310 SP 1136ph | . . . Clamp screw | 1 | 33 | SD 0790361 SP D079101h | . . . Hinge screw | 1 |
| 14 | B 1460 053 00B 531460 (2) | . . . Connecting pin | 1 | 34 | SD 0790361 SP D079101h | Hinge screw, for rear lever | 1 |
| 15 | B 1512 051 000 511512 | Hand lifter | 1 | 35 | PD 0231100 0B DP25126 | Cotter pin, for rear lifting bar | 1 |
| 16 | B 1515-051 000 511515 | Hand lifter shaft | 1 | 36 | B 3410 051 000 513410 | Knee lifter rear lever | 1 |
| 17 | B 1462-053 00B 531462 | Thread release spring | 1 | 37 | B 3413 053 000 533413 | Rear lifting bar | 1 |
| 18 | B 1461-053 000 531461 (2) | Thread release spring pin | 1 | 38 | CS 0510713 SC S05101 | Rear lifting bar spring retaining collar | 1 |
| 19 | B 1461-053 00A 531461 (1) | Thread release guide | 1 | 39 | SS 7110540 SP 1127ph | . . . Screw | 1 |
| 20 | B 1469-053-000 531469 | Adjusting thumb screw, for vibrating presser bar | 1 | 40 | B 3414051 000 513414 | Rear lifting bar spring | 1 |
| 21 | B 1467-053 00B 531467 (2) | Retaining collar, for spring | 1 | 41 | B 3416 051 000 513416 (1) | Rear lifting bar roller holder | 1 |
| 22 | B-1467-053-00C 531467 (3) | Retaining collar pin | 1 | 42 | SS 7110510-SP 1121ph | . . . Screw | 1 |
| 23 | B-1468-053-000 531468 | Vibrating presser bar spring | 1 | 43 | SD 0550801-SP D055007h | . . . Screw stud | 1 |
| 24 | B-1467-053-00A 531467 (1) | Vibrating presser bar spring pole | 1 | 44 | B 3417 051 000 513416 (2) | Rear lifting bar roller | 1 |

SAFETY CLUTCH MECHANISM COMPONENTS

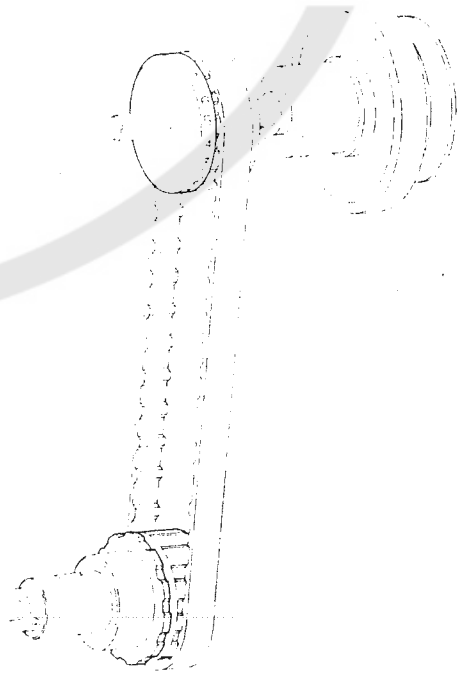


| Ref. No. | Part No. | Description | Amt. Req. | Ref. No. | Part No. | Description | Amt. Req. |
|----------|--------------------------|---|-----------|----------|-------------------------|-------------------------------------|-----------|
| 1 | B-1204-051-000 511204 | Oil wick, for take-up lever pin | 1 | 20 | B 1314 055-000 | Safety clutch small link pin | 1 |
| 2 | B 1906-051-000 511906 | Take-up lever pin | 1 | 21 | B 1307 053 M00 | Safety clutch hook | 1 |
| 3 | SS 8151150-SP 1552ph | . . . Screw | 1 | 22 | B 1308 055 000 | Safety clutch counter-hook | 1 |
| 4 | B-1905 053 000 531905 | Take-up lever | 1 | 23 | SS 6661110 SK 6621fh | Clamp screw, for safety clutch body | 2 |
| 5 | B 1907-051-000 511907 | Take-up lever thrust pin | 1 | 24 | B 1833 053 000 | . . . Pin | 1 |
| 6 | B 1204 051-000 511204 | . . . Oil wick | 1 | | | | |
| 7 | B-1408 051-000 511408 | Needle bar crank rod | 1 | | | | |
| 8 | B-1214-019-000 191214 | Sprocket wheel ring | 3 | | | | |
| 9 | B-1302-051-000 511302 | Sprocket wheel, upper | 1 | | | | |
| 10 | SS-7181750-TP 6822ph | . . . Screw (B) | 1 | | | | |
| 11 | SS-8681650-TP 6851ph | . . . Screw (A) | 1 | | | | |
| 12 | B 1301-051 000 511301 | Timing belt | 1 | | | | |
| 13 | B-1303 055-000 | Sprocket wheel, lower | 1 | | | | |
| 14 | SS-8090540-SP 0956ph | Positioning screw, for safety clutch spring | 1 | | | | |
| 15 | B-1310-055-000 | Safety clutch small link | 1 | | | | |
| 16 | B-1305-055-000 | Safety clutch spring | 1 | | | | |
| 17 | B-1315-055-000 | Hinge screw, for safety clutch hook | 2 | | | | |
| 18 | B-1309-055-000 | Safety clutch counter-hook spring | 1 | | | | |
| 19 | B-1311-055-000 | Safety clutch body | 1 | | | | |

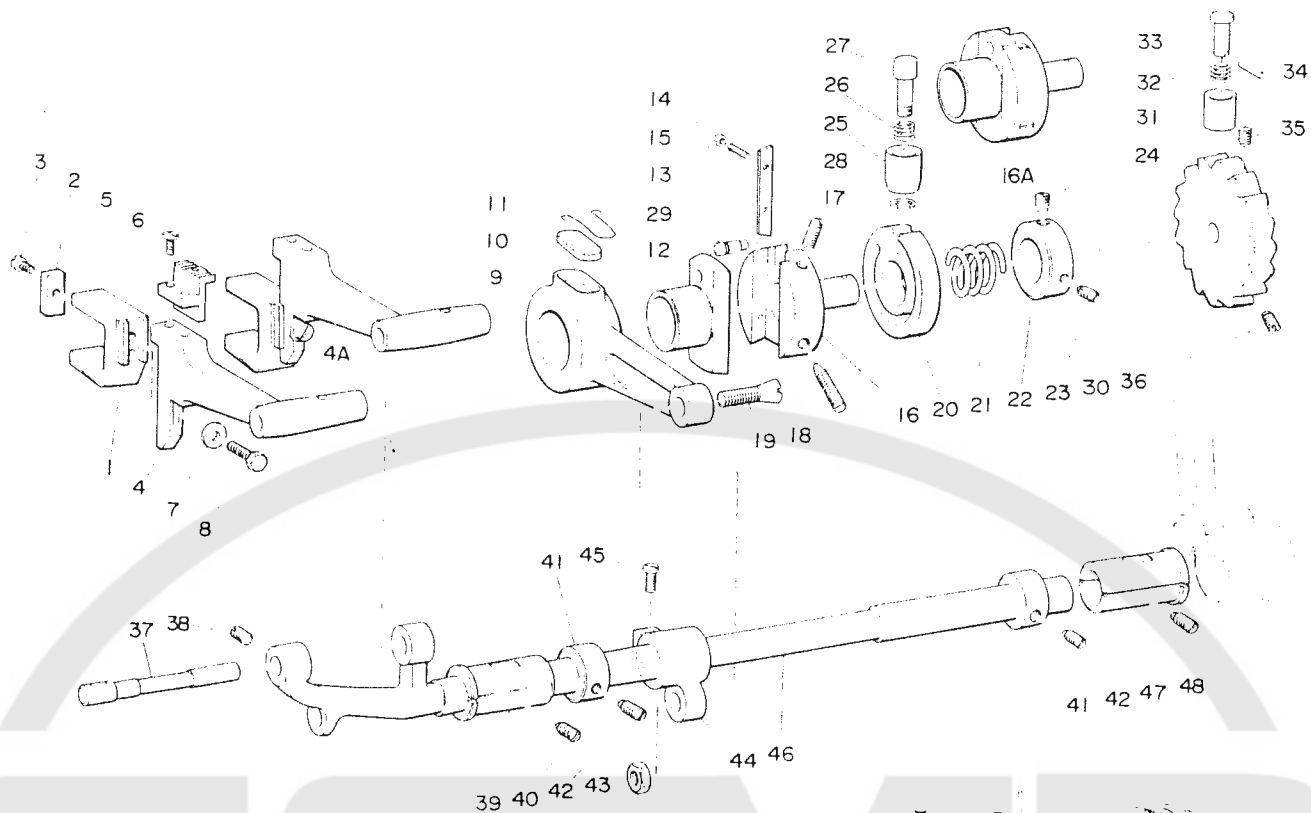
SAFETY CLUTCH MECHANISM COMPONENTS, EXCLUSIVE FOR MODEL LU-53



| Ref. No. | Part No. | Description | Amt. Req. |
|----------|------------------------------|--------------------------------------|-----------|
| 1 | B 1220 053 000 531220 | Stitch graduator | 1 |
| 2 | SS 8621340 SP 6255ph | Screw | 2 |
| 3 | B 1303 053 000 531303 | Sprocket wheel, lower | 1 |
| 4 | B 1308 053 000 531303 (5) | Safety clutch counter-hook | 1 |
| 5 | B-1307-053 000 531303 (4) | Safety clutch hook | 1 |
| 6 | SS 8620610 SK 6252fh | Screw, for pin | 2 |
| 7 | B 1306 053 000 531303 (3) | Pin, for safety clutch hook & spring | 2 |
| 8 | B 1309 053 000 531303 (6) | Safety clutch counter-hook spring | 1 |
| 9 | B 1310 053 000 531303 (7) | Safety clutch counter-hook pin | 1 |
| 10 | SS 8680540 SK 6853fh | Screw (A), for safety clutch body | 1 |
| 11 | B 1304 053 000 531304 | Safety clutch body pin | 1 |
| 12 | SS 8680730 SK 6854fh | Screw (B), for safety clutch body | 1 |
| 13 | B 1311 053-000 531303 (8) | Safety clutch body | 1 |
| 14 | B-1305 053 000 531305 | Safety clutch spring | 1 |



FEED ROCK SHAFT COMPONENTS

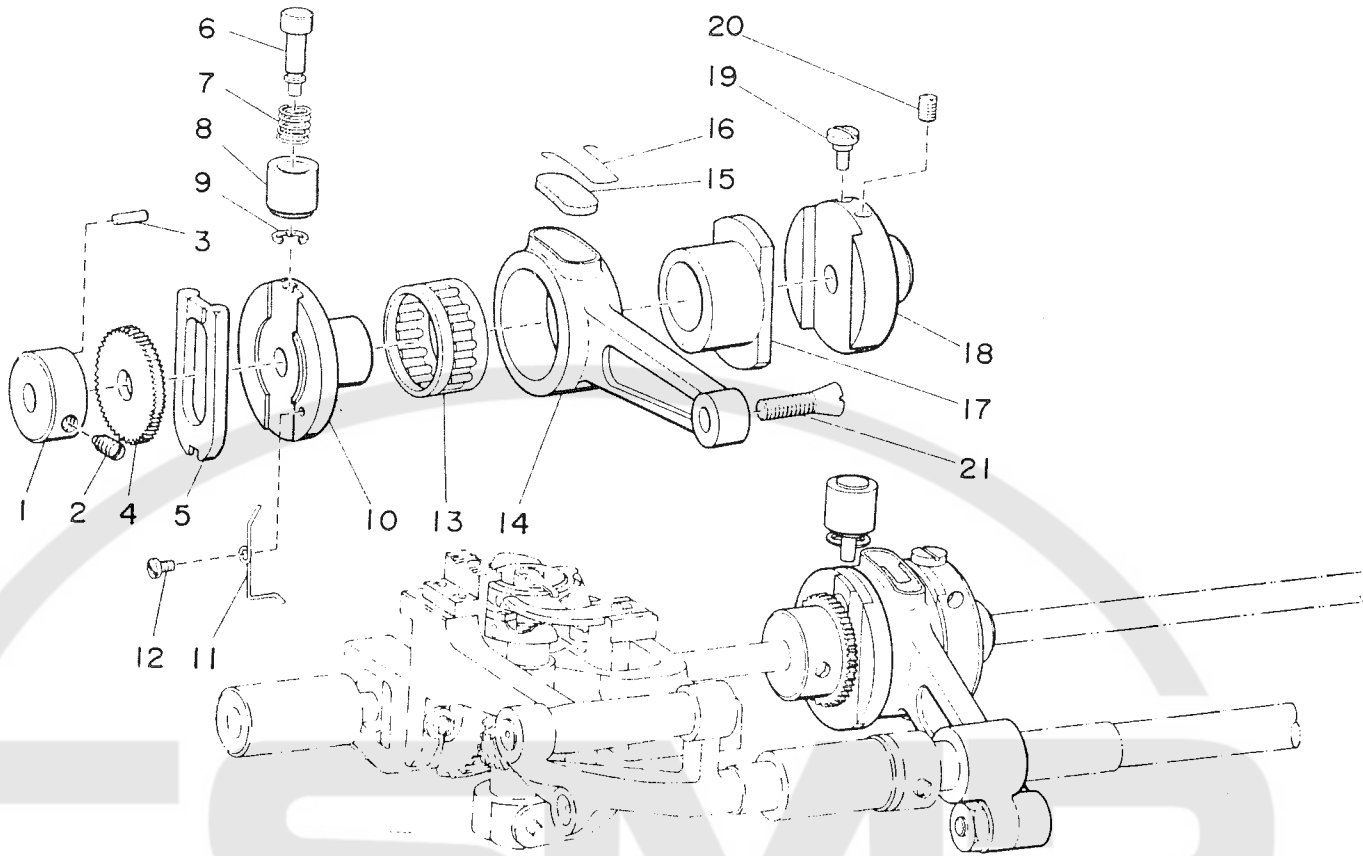


| Ref. No. | Part No. | Description | Amt. Req. |
|----------|------------------------------|---|-----------|
| 1 | B 1604 051 000 511601 | Feed bar fork | 1 |
| 2 | B 1605 051 000 511605 | Feed bar fork oil supply felt | 1 |
| 3 | SS 5080710 SP 0839ph | ... Screw | 1 |
| *4 | B 1602 055 000 | Feed bar | 1 |
| 5 | B 1613 053 000 531613 | Feed dog | 1 |
| 6 | B 1611 055 000 | ... Screw | 2 |
| 7 | WS 0651510 KP SW651ph | Washer, for feed bar fork set screw | 1 |
| 8 | SS 9151440 SP 1592ph | Screw, for feed bar fork | 1 |
| 9 | B 1614 057 000 571611 | Feed rock shaft crank connecting rod | 1 |
| 10 | B 1702 012 000 121702 | ... Oil supply felt | 1 |
| 11 | B 1213 012 000 121213 | ... Oil supply felt retainer | 1 |
| 12 | B 1620 057 000 571620 | Feed eccentric | 1 |
| 13 | B 1622 057 000 571622 | Feed eccentric gib | 1 |
| 14 | NS 6080210 SP N081ph | ... Nut | 2 |
| 15 | B 1621 405 000 4051621 | ... Screw | 2 |
| 16 | B 1621 055 000 | Feed eccentric body | 1 |
| 17 | SS 8151780 SP 1567ph | ... Screw (B) | 1 |
| 18 | SS 8151770 SK 1559ph | ... Screw (A) | 1 |
| 19 | B 1621 012 A00 121621 (A) | Connecting screw, for feed rock shaft crank | 1 |
| 20 | B 1626 057 000 571626 | Feed eccentric guide | 1 |
| 21 | B 1624 057 000 571624 | Feed eccentric body spring | 1 |
| 22 | B 1625 057 000 571625 | Feed eccentric body spring retaining collar | 1 |
| 23 | SS 8110510 SP 1151ph | ... Screw (A) | 1 |
| 24 | SS 8110750 SP 1157ph | ... Screw (B) | 1 |

| Ref. No. | Part No. | Description | Amt. Req. |
|----------|--------------------------|--|-----------|
| 25 | B 1637 055 000 | Feed eccentric adjusting knob sleeve | 1 |
| 26 | B 1639 051 000 511639 | Feed eccentric adjusting knob spring | 1 |
| 27 | B 1536 055 000 | Feed eccentric adjusting knob | 1 |
| 28 | B 1638 051 000 511638 | Feed eccentric adjusting knob retaining ring | 1 |
| 29 | B 1623 057 000 571623 | Feed eccentric leading pin | 1 |
| 30 | B 1314 057 000 571311 | Safety clutch ratchet gear | 1 |
| 31 | B 1313 055 000 | Safety clutch knob sleeve | 1 |
| 32 | B 1639 051 000 511639 | Safety clutch knob spring | 1 |
| 33 | B 1312 055 000 | Safety clutch knob | 1 |
| 34 | B 1314 055 000 | Safety clutch small link pin | 1 |
| 35 | SS 8151780 SP 1567ph | Screw (A), for ratchet gear | 1 |
| 36 | SS 8152080 SP 1561ph | Screw (B), for ratchet gear | 1 |
| 37 | B 1603 051 000 511603 | Feed bar shaft | 1 |
| 38 | SS 8110510 SP 1151ph | ... Screw | 2 |
| 39 | B 1607 051 000 511607 | Feed rock shaft front bushing | 1 |
| 40 | SS 8151550 SP 1551ph | ... Screw | 2 |

(Continued to page 9)

FEED ROCK SHAFT COMPONENTS, EXCLUSIVE FOR MODEL LU-53

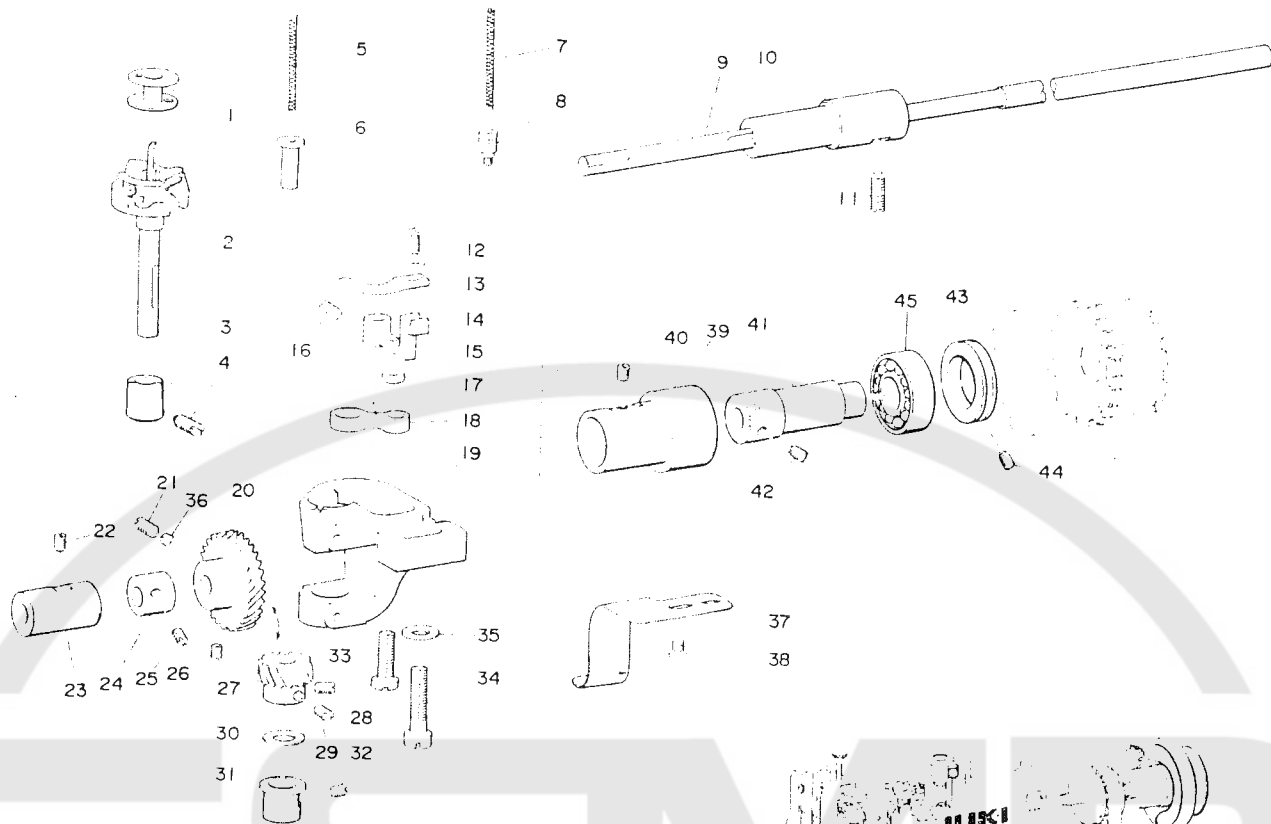


| Ref. No. | Part No. | Description | Amt. Req. | Ref. No. | Part No. | Description | Amt. Req. |
|----------|--------------------------|-------------------------------|-----------|----------|------------------------------|--|-----------|
| 1 | CS 0951015 SH S09502h | Ratchet gear thrust collar | 1 | 6 | B 1636 053 000 531636 | Feed eccentric adjusting knob | 1 |
| 2 | SS 8151150 SP 1552ph | · · · Screw | 2 | 7 | B 1639 051 000 511639 | · · · Spring | 1 |
| 3 | B 1627 051 000 511627 | · · · Connecting pin | 1 | 8 | B 1637 053 000 531637 | · · · Bushing | 1 |
| 4 | B 1628 051 000 511628 | Ratchet gear | 1 | 9 | B 1638 051 000 511638 | · · · Retaining ring | 1 |
| 5 | B 1623 051 000 511623 | Ratchet pawl | 1 | 10 | B 1626 051 000 511626 | Feed eccentric guide | 1 |
| | (Continued from page 8) | | | 11 | B 1624 051 000 511624 | Ratchet pawl spring | 1 |
| 41 | CS 1401012 SC S14001 | Feed rock shaft thrust collar | 2 | 12 | SD 0260271 SP D026001h | · · · Screw | 1 |
| 42 | SS 8150440 SP 1558ph | · · · Screw | 4 | 13 | B 1618 051 000 511618 | Crank connecting rod needle bearing | 1 |
| 43 | NS 6680410 SP N681ph | Nut, for No 19 | 1 | 14 | B 1614 051 000 511614 | Feed rock shaft crank connecting rod | 1 |
| 44 | B 1616 055 000 | Feed rock shaft crank | 1 | 15 | B 1702 012 000 121702 | · · · Oil supply felt | 1 |
| 45 | SS 6121610 SP 1221ph | · · · Clamp screw | 1 | 16 | B 1213 012 000 121213 | · · · Oil supply felt retainer | 1 |
| 46 | B 1601 051 000 511601 | Feed rock shaft | 1 | 17 | B 1620 051 000 511620 | Feed eccentric | 1 |
| 47 | B 1609 051 000 511609 | Feed rock shaft rear bushing | 1 | 18 | B 1621 051 000 511621 | Feed eccentric body | 1 |
| 48 | SS 8152030 SP 1556ph | · · · Screw | 1 | 19 | SS 8660970 SP 6654ph | · · · Screw | 1 |
| | | | | 20 | SS 8660610 TP | · · · Screw | 1 |
| | | | | 21 | B 1621 012 A00 121621 (A) | Connecting screw, for crank connecting rod | 1 |

EXCLUSIVE PARTS FOR MODEL LU-53

| | | | |
|----|--------------------------|-----------------------|---|
| 4 | B 1602 053 000 531602 | Feed bar | 1 |
| 44 | B 1616 053 000 531616 | Feed rock shaft crank | 1 |

SEWING HOOK SHAFT COMPONENTS

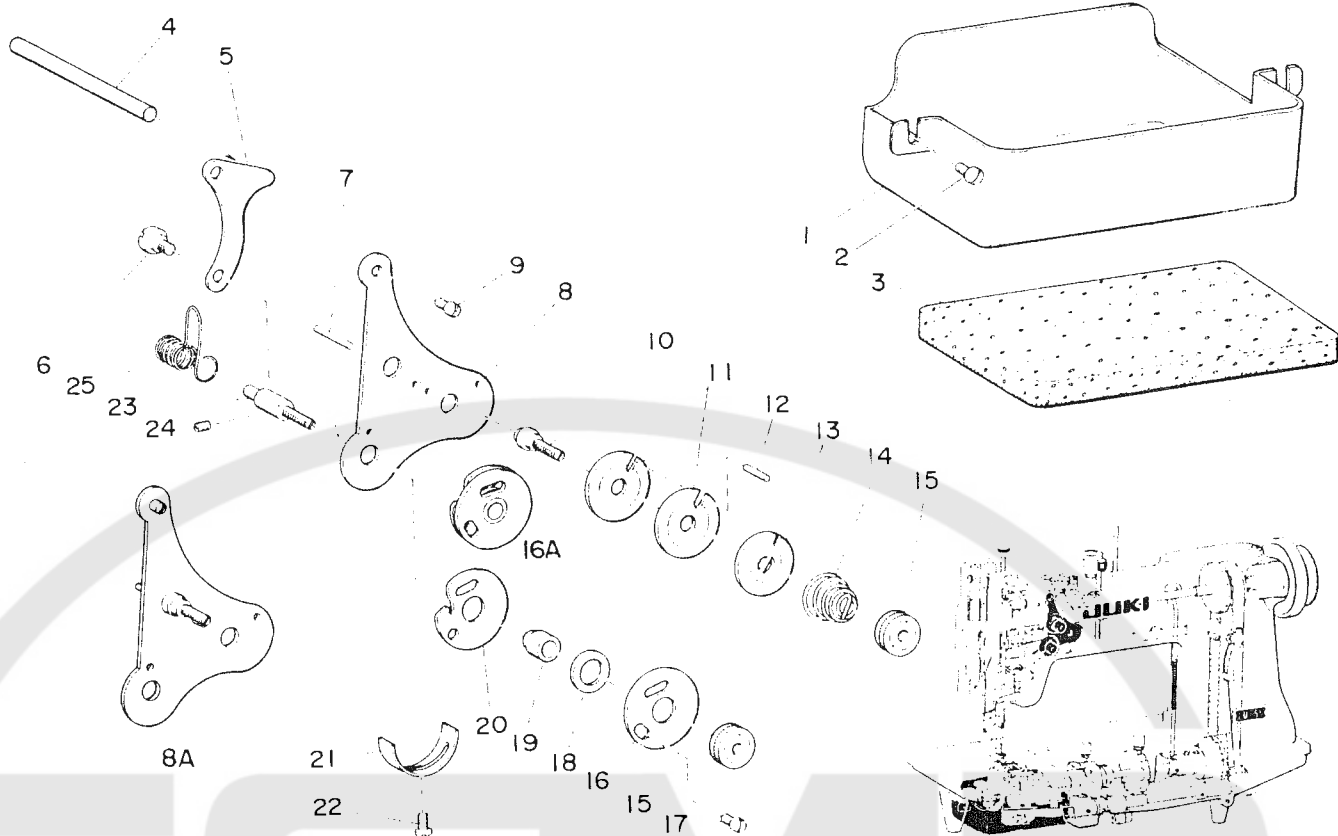


| Ref. No. | Part No. | Description | Amt. Req. |
|----------|--------------------------|--|-----------|
| 1 | B 9117 051 000 519117 | Bobbin | 1 |
| 2 | B 1830 055 0A0 | Vertical-axis sewing hook assembly | 1 |
| 3 | B 1814 051 000 511814 | Hook driving shaft upper bushing | 1 |
| 4 | SS 8151350 SK 1551fh | ... Screw | 1 |
| 5 | B 1204 051 000 511204 | Oil wick, for crank pin | 1 |
| 6 | B 1823 051 000 511823 | Bobbin case opening lever crank pin | 1 |
| 7 | B 1204 051 000 511204 | Oil wick, for crank screw stud | 1 |
| 8 | B 1821 041 000 511821 | Bobbin case opening lever crank screw stud | 1 |
| 9 | B 1801 055 000 | Hook shaft | 1 |
| 10 | B 1804 051 000 511804 | Hook shaft intermediate bushing | 1 |
| 11 | SS 8151550 SP 1554ph | ... Screw | 1 |
| 12 | SS 6090620 SP 0930ph | Screw, for bobbin case opening lever | 1 |
| 13 | WP 0371016 SD W371p | ... Washer | 1 |
| 14 | B 1824 051-000 511824 | Bobbin case opening lever | 1 |
| 15 | B 1822 051 000 511822 | Bobbin case opening lever crank | 1 |
| 16 | SS 8150710 SP 1555ph | Screw, for crank pin | 1 |
| 17 | NS 6110420 SP N112ph | Nut, for crank screw stud | 1 |
| 18 | B 1820 051 000 511820 | Bobbin case opening lever link | 1 |
| 19 | B 1811 051-000 511811 | Hook driving shaft saddle | 1 |
| 20 | B 1816 051 000 511816 | Hook shaft gear | 1 |
| 21 | SS 8660410 SK 6653fh | ... Screw | 1 |
| 22 | SS 8152030 SP 1556ph | Screw, for front bushing | 1 |
| 23 | B 1802-053 000 531802 | Hook shaft front bushing | 1 |

| Ref. No. | Part No. | Description | Amt. Req. |
|----------|--------------------------|--|-----------|
| 24 | B 1840 051 000 511840 | Hook shaft feed eccentric | 1 |
| 25 | SS 8150580 SP 1551ph | ... Screw | 1 |
| 26 | SS 8660810 TP 6661ph | Screw, for hook shaft gear | 1 |
| 27 | B 1817 051 000 511817 | Hook driving shaft gear | 1 |
| 28 | SS 8660530 SK 6664fh | ... Screw | 1 |
| 29 | SS 8660670 SK 6656fh | ... Screw | 1 |
| 30 | B 1818 051 000 511818 | Hook driving shaft gear thrust washer | 1 |
| 31 | B 1815 051 000 511815 | Hook driving shaft lower bushing | 1 |
| 32 | SS 8150710 SP 155ph | ... Screw | 1 |
| 33 | SS 6153040 SP 1510ph | Clamp screw, for hook driving shaft saddle | 1 |
| 34 | SS 7762840 SP 7621ph | Screw, for hook driving shaft saddle | 1 |
| 35 | B 1812 051 000 511812 | ... Washer | 1 |
| 36 | B 1833 053 000 531833 | Lock pin, for hook shaft gear | 2 |
| 37 | B 1806 051 000 511806 | Hook shaft timing indicator | 1 |
| 38 | SS 7090520 SP 0921ph | ... Screw | 2 |

(Continued to page 11)

THREAD CONTROLLER COMPONENTS



| Ref. No. | Part No. | Description | Amt. Rep. | Ref. No. | Part No. | Description | Amt. Req. |
|--------------------------|---------------------------|---|-----------|----------|------------------------------|---|-----------|
| 1 | B 1839 053 000 531839 | Hook driving shaft saddle oil splashing cover | 1 | 10 | B 3124 051 000 513124 | Thread tension stud | 1 |
| 2 | SS 7110410 SP 1131ph | ... Screw | 2 | 11 | B 3126 051 000 513126 | Thread tension disc | 2 |
| 3 | B 1841 053 000 531841 | ... Oil drip felt | 1 | 12 | B 3131 051 000 513131 | ... Pin | 1 |
| 4 | B 3122 053 000 533122 | Thread release lever pushing bar | 1 | 13 | B 3132 051 000 513132 | ... Releasing washer | 1 |
| 5 | B 3134 051 000 513134 | Thread release lever | 1 | 14 | B 3129 051 000 513129 | Thread tension spring | 1 |
| 6 | SD 0470281-SP D047001h | ... Screw | 2 | 15 | B 3125 012 000 123125 | Thread tension stud nut | 2 |
| 7 | B 3127 051 000 513127 | Thread release pin | 5 | 16 | B 3137 051 00D 513137 (1) | Take-up spring guide disc | 1 |
| 8 | B 3121 051 000 513121 | Thread controller base | 1 | 17 | SS 4080510 SP 0822ph | ... Screw | 1 |
| 9 | SS 7110720 SP 1130ph | ... Screw | 1 | 18 | B 3137 051 00C 513137 (3) | Take-up spring guide stud | 1 |
| (Continued from page 10) | | | | 19 | B 3137 151 00A 513137 (1) | Take-up spring guide taper stud | 1 |
| 39 | B 1807 051 000 511807 | Hook shaft rear bushing (1) | 1 | 20 | B 3137 051 00B 513137 (2) | Take-up spring guide disc, intermediate | 1 |
| 40 | SS 8152030 SP 1551ph | ... Screw | 1 | 21 | B 3138 051 000 513138 | Take-up spring adjusting plate | 1 |
| 41 | B 1808 051 000 511808 | Hook shaft rear bushing (2) | 1 | 22 | SS 7090520 SP 0921ph | ... Screw | 1 |
| 42 | SS 8150750 SP 1553ph | ... Screw | 2 | 23 | B 3123 051 000 513123 | Take-up spring stud | 1 |
| 43 | B 1809 051 000 511809 | Hook shaft bearing retaining collar | 1 | 24 | SS 8111251 SP 1158ph | ... Screw | 1 |
| 44 | SS 8090530 TP 0958ph | ... Screw | 3 | 25 | B 3128 051 000 513128 | Take-up spring | 1 |
| 45 | B 1219 051 000 511219 | Hook shaft bearing | 1 | | | | |

EXCLUSIVE PARTS FOR MODEL LU-53

| | | | |
|---|---------------------------|------------------------------------|---|
| 2 | B 1830 053 0A0 531830S | Vertical-axis sewing hook assembly | 1 |
| 9 | B 1801-053 000 531801 | Hook shaft | 1 |

EXCLUSIVE PART FOR MODEL LU-53

| | | | |
|----|----------------|-----------------------|---|
| 14 | B 3129 053 000 | Thread tension spring | 1 |
|----|----------------|-----------------------|---|

NUMERICAL INDEX OF PARTS

| Part No. | Page | Ref. No. | Part No. | Page | Ref. No. | Part No. | Page | Ref. No. | Part No. | Page | Ref. No. |
|-----------------|------|----------|----------------|------|----------|----------------|------|----------|----------------|------|----------|
| EXCLUSIVE PARTS | | | B-1218-051-000 | 2 | 23 | B 1428-051-000 | 3 | -16 | B-1515-051-000 | 5 | -16 |
| B 1103-051-000 | 1 | 8 | 511218 | | | 511428 | | | 511515 | | |
| 511103 | | | B-1219 051 000 | 2 | 22 | B 1429 051 000 | 3 | 19 | B-1525-053-000 | 5 | - 6 |
| B-1104-051-000 | 1 | -27 | 511219 | | | 511429 | | | 531525 | | |
| 511102(1) | | | B-1219-051-000 | 10 | -45 | B-1431 051 000 | 3 | 21 | B-1536-055-000 | 8 | -27 |
| B-1105-051-000 | 1 | 25 | 511219 | | | 511431 | | | | | |
| 511102(2) | | | B 1220 053-000 | 7 | - 1 | B 1434-051 000 | 3 | 26 | B-1601-051-000 | 8 | -46 |
| B 1106-051 000 | 1 | 26 | 531220 | | | 511434 | | | 511601 | | |
| 511102(3) | | | B 1220 055-M00 | 2 | 17 | B 1435-051 000 | 3 | 27 | B 1602-053 000 | 8 | - 4 |
| B-1109-053-000 | 1 | 22 | B 1227-051-000 | 2 | *24 | 511435 | | | 531602 | | |
| 531109 | | | 511227 | | | B 1437 051 000 | 3 | 13 | B-1602-055-000 | 8 | - *4 |
| B-1112-053-000 | 1 | 24 | B 1227-053 000 | 2 | 24 | 511437 | | | B 1603-051-000 | 8 | -37 |
| 531112 | | | 531227 | | | B 1438 051 0A0 | 3 | 12 | 511603 | | |
| B-1113-053-000 | 1 | -21 | B-1233-012-000 | 2 | 27 | 511438S | | | B 1604-051-000 | 8 | - 1 |
| 531113 | | | | | | B 1450-053-000 | 4 | 14 | 511601 | | |
| B-1114-051-000 | 1 | 4 | B-1301-051-000 | 6 | 12 | 531450 | | | B 1605-051-000 | 8 | - 2 |
| 511114 | | | 511301 | | | B 1451-053 000 | 4 | 16 | 511605 | | |
| B-1128-051-000 | 1 | -11 | B-1302-051-000 | 6 | - 9 | 531451 | | | B-1607-051-000 | 8 | -39 |
| 511128 | | | 511302 | | | B-1452-053 000 | 4 | 15 | 511607 | | |
| B-1129-051-000 | 1 | -13 | B-1303-053-000 | 7 | 3 | 531452 | | | B 1609-051-000 | 8 | -47 |
| 511129 | | | 531303 | | | B-1453-053 000 | 4 | 8 | 511609 | | |
| B-1130-051 000 | 1 | 14 | B-1303-055-000 | 6 | 13 | 531453 | | | B-1611-055-000 | 8 | - 6 |
| 511130 | | | | | | B 1454 053 00A | 4 | 7 | | | |
| B-1131-051-000 | 1 | 15 | B-1304-053 000 | 7 | 11 | 531454(1) | | | B 1613-053-000 | 8 | - 5 |
| 511131 | | | 531304 | | | B 1454 053 00B | 4 | 9 | 531613 | | |
| B-1140-051 000 | 1 | 9 | B-1305-053 000 | 7 | 14 | 531454(2) | | | B 1614 051-000 | 9 | -14 |
| 511140 | | | 531305 | | | B 1455 053 000 | 4 | 5 | 511611 | | |
| B-1150-051 000 | 1 | 1 | B-1305-055-000 | 6 | -16 | 531455 | | | B 1614-057-000 | 8 | - 9 |
| 511150 | | | | | | B 1456 053 000 | 4 | 4 | 581614 | | |
| B-1152 051 000 | 1 | 2 | B 1306-053-000 | 7 | 7 | 531456 | | | B 1616-053 000 | 8 | 44 |
| 511152 | | | 531306(1) | | | B 1457 053 000 | 4 | 2 | 531616 | | |
| B-1155-053 000 | 1 | 5 | B 1307-053 000 | 7 | 5 | B 1457-055 000 | 4 | '2 | B 1616-055 000 | 8 | -*44 |
| 531155 | | | 531307(1) | | | | | | | | |
| B-1157-009-000 | 1 | 17 | B-1307-053 M00 | 6 | 21 | B 1458-053 000 | 4 | 1 | B 1618-051-000 | 9 | -13 |
| 91157 | | | | | | 531458 | | | 511618 | | |
| B-1201-051 000 | 2 | *15 | B 1308-053 000 | 7 | 4 | B 1459 053 00A | 4 | 23 | B 1620 051 000 | 9 | 17 |
| 511201 | | | 531308(5) | | | 531459(1) | | | 511620 | | |
| B-1201-053 000 | 2 | 15 | B 1308-055 000 | 6 | 22 | B 1459-053 00B | 4 | 20 | B 1620-057-000 | 8 | 12 |
| 531201 | | | | | | 531459(2) | | | 571620 | | |
| B-1202 051 000 | 2 | 10 | B 1309-053 000 | 7 | 8 | B 1460-053 00A | 5 | 12 | B 1621 012 A00 | 8 | 19 |
| 511202 | | | 531309(6) | | | 531460(1) | | | 121621(A) | | |
| B-1203-051 000 | 2 | 13 | B-1309-055 000 | 6 | 18 | B 1460-053 00B | 5 | 14 | B 1621 012 A00 | 9 | -21 |
| 511203 | | | | | | 531460(2) | | | 121621(A) | | |
| B-1204-051 000 | 2 | 1 | B 1310-053 000 | 7 | 9 | B 1461-053 00A | 5 | 19 | B 1621-051-000 | 9 | 18 |
| 511204 | | | 531309(7) | | | 531461(1) | | | 511621 | | |
| B-1204-051 000 | 2 | 14 | B 1310-055 000 | 6 | 15 | B 1461-053 00B | 5 | 18 | B-1621-055 000 | 8 | -16 |
| 511204 | | | | | | 531461(2) | | | | | |
| B-1204-051-000 | 2 | 16 | B 1311-053 000 | 7 | 13 | B 1462-053 00B | 5 | 17 | B 1621-405 000 | 8 | - 15 |
| 511204 | | | 531309(8) | | | 531462 | | | 4051621 | | |
| B-1204-051-000 | 3 | 24 | B 1311-055 000 | 6 | 19 | B-1465-053 000 | 4 | 24 | B 1622-057 000 | 8 | -13 |
| 511204 | | | | | | 531465 | | | 571622 | | |
| B-1204-051 000 | 4 | 10 | B 1312-055 000 | 8 | 33 | B-1466-053 000 | 5 | 25 | B 1623-051 000 | 9 | - 5 |
| 511204 | | | | | | 531466 | | | 511623 | | |
| B-1204-051 000 | 4 | 21 | B 1313-055 000 | 8 | 31 | B-1467-053 00A | 5 | 24 | B 1623-057-000 | 8 | 29 |
| 511204 | | | | | | 531467(1) | | | 571623 | | |
| B-1204-051 000 | 6 | 1 | B 1314-055 000 | 6 | 20 | B 1467-053 00B | 5 | 21 | B 1624-051 000 | 9 | -11 |
| 511204 | | | | | | 531467(2) | | | 511624 | | |
| B-1204-051-000 | 6 | 6 | B 1314-055 000 | 8 | 34 | B 1467-053 00C | 5 | 22 | B-1624-057-000 | 8 | -21 |
| 511204 | | | | | | 531467(3) | | | 571624 | | |
| B-1204-051-000 | 10 | 5 | B-1314-057 000 | 8 | 30 | B 1468-053 000 | 5 | 23 | B 1625-057-000 | 8 | -22 |
| 511204 | | | 571314 | | | 531468 | | | 571625 | | |
| B-1204-051-000 | 10 | 7 | B 1315-055 000 | 6 | 17 | B 1469-053 000 | 5 | 20 | B 1626-051-000 | 9 | -10 |
| 511204 | | | | | | 531469 | | | 511626 | | |
| B-1205-051-000 | 2 | 9 | B 1401-053 000 | 3 | 7 | B 1470-053 000 | 5 | 26 | B 1626-057-000 | 8 | - 20 |
| 511205 | | | 531401 | | | 531470 | | | 571626 | | |
| B-1206-051 000 | 2 | 6 | B 1408-051 000 | 6 | 7 | B 1501-040 000 | 5 | 4 | B 1627-051-000 | 9 | 3 |
| 511206 | | | 511408 | | | 101501 | | | 511627 | | |
| B-1207-051 000 | 2 | 5 | B-1411-053 000 | 3 | 4 | B 1502-051 000 | 5 | 7 | B 1628-051 000 | 9 | 4 |
| 511207 | | | 531411 | | | 511502 | | | 511628 | | |
| B-1210-051 000 | 2 | 2 | B 1412-051 000 | 3 | 5 | B-1503-051 A00 | 5 | 3 | B-1636-053-000 | 9 | - 6 |
| 511210 | | | 511412 | | | 511503A | | | 531636 | | |
| B-1213-012-000 | 4 | 13 | B-1419-053 000 | 3 | 8 | B 1503-051 B00 | 5 | 9 | B 1637-053 000 | 9 | - 8 |
| 121213 | | | 531419 | | | 511503B | | | 531637 | | |
| B-1213-012-000 | 8 | 11 | B-1420-053 000 | 3 | 3 | B 1504-056 000 | 5 | 10 | B-1637-055-000 | 8 | -25 |
| 121213 | | | 531420 | | | 511504 | | | | | |
| B-1213-012-000 | 9 | 16 | B 1421-051 000 | 3 | 1 | B 1505-053 000 | 5 | 28 | B 1638-051-000 | 8 | 28 |
| 121213 | | | 511421 | | | 531505 | | | 511638 | | |
| B-1214-019 000 | 6 | 8 | B 1423-051 000 | 1 | 18 | B 1507-051 000 | 5 | 1 | B 1638-051-000 | 4 | - 9 |
| 191214 | | | 511423 | | | 511507 | | | 511638 | | |
| B-1216-051 000 | 2 | 19 | B 1425-051 000 | 3 | 14 | B 1509-051 000 | 5 | 31 | B 1639-051-000 | 8 | -26 |
| 511216 | | | 511425 | | | 511509 | | | 511639 | | |
| B-1217-051-000 | 2 | 20 | B 1426-051 000 | 3 | 15 | B 1512-051 000 | 5 | 15 | B 1639-051-000 | 8 | -32 |
| 511216(2) | | | 511426 | | | 511512 | | | 511639 | | |

| Part No. | Page | Ref. No. | Part No. | Page | Ref. No. | Part No. | Page | Ref. No. | Part No. | Page | Ref. No. |
|---------------------------|------|----------|-----------------------------|------|----------|---------------------------|------|----------|--------------------------|------|----------|
| B 1639-051-000 511639 | 9 | 7 | B 3129-053-000 | 11 | 14 | SD 0790801 SP D079106h | 3 | 23 | SS 8150710 SP 1555ph | 10 | 16 |
| B 1702-012-000 121702 | 4 | 12 | B 3131-051-000 513131 | 11 | 12 | SD 0800481-SP D080008h | 5 | 29 | SS 8150710-SP 1555ph | 10 | 32 |
| B 1702-012-000 121702 | 8 | 10 | B 3132-051-000 513132 | 11 | 13 | SD 0801601-SP D080013h | 5 | 30 | SS 8150750-SP 1553ph | 5 | 8 |
| B 1702-012-000 121702 | 9 | 15 | B 3134-051-000 513134 | 11 | 5 | SD 0950801 SP D095002h | 3 | 25 | SS 8150750-SP 1553ph | 10 | 42 |
| B 1801-053-000 531801 | 10 | 9 | B 3137-051-00A 513137(1) | 11 | 19 | | | | SS 8151150-SP 1552ph | 4 | 19 |
| B 1801-055-000 | 10 | 9 | B 3137-051-00B 513137(2) | 11 | 20 | SCREW | | | SS 8151150-SP 1552ph | 6 | 3 |
| B 1802-053-000 531802 | 10 | 23 | B 3137-051-00C 513137(3) | 11 | 18 | SS 2090710 SP 0901ph | 1 | 16 | SS 8151150-SP 1552ph | 9 | 2 |
| B 1804-051-000 511804 | 10 | 10 | B 3137-051-00D 513137(4) | 11 | 16 | SS 2110910 SP 1101ph | 1 | 23 | SS 8151160-SK 1563fh | 3 | 2 |
| B 1805-051-000 511805 | 10 | 37 | B 3138-051-000 513138 | 11 | 21 | SS 3090610 SP 0978ph | 1 | 10 | SS 8151230-SP 1557ph | 2 | 18 |
| B 1807-051-000 511807 | 10 | 39 | B 3409-053-000 533409 | 5 | 32 | SS 4080510 SP 0322ph | 11 | 17 | SS 8151280-SP 15512ph | 4 | 18 |
| B 1808-051-000 511808 | 10 | 41 | B 3410-051-000 513410 | 5 | 36 | SS 5080710 SP 0839ph | 8 | 3 | SS 8151350-SK 1551fh | 10 | 4 |
| B 1809-051-000 511809 | 10 | 43 | B 3413-053-000 533413 | 5 | 37 | SS 6090620-SP 0930ph | 10 | 12 | SS 8151350-SP 1551ph | 2 | 11 |
| B 1811-051-000 511811 | 10 | 19 | B 3414-051-000 513414 | 5 | 40 | SS 6090910 SP 0925ph | 5 | 5 | SS 8151550 SP 1554ph | 8 | 40 |
| B 1812-051-000 511812 | 10 | 35 | B 3416-051-000 513416(1) | 5 | 41 | SS 6121610 SP 1224ph | 8 | 45 | SS 8151550 SP 1554ph | 10 | 11 |
| B 1814-051-000 511814 | 10 | 3 | B 3417-051-000 513417(2) | 5 | 44 | SS 6151440 SP 1525ph | 3 | 20 | SS 8151770 SK 1559ph | 8 | 18 |
| B 1815-051-000 511815 | 10 | 31 | B 3501-051-000 513501 | 2 | 12 | SS 6153040 SP 1540ph | 10 | 33 | SS 8151780 SP 1567ph | 2 | 26 |
| B 1816-051-000 511816 | 10 | 20 | B 9117-051-000 519117 | 10 | 1 | SS 6661110 SK 6621fh | 6 | 23 | SS 8151780 SP 1567ph | 8 | 35 |
| B 1817-051-000 511817 | 10 | 27 | | | | SS 7060310 SP 0322ph | 3 | 9 | SS 8151780 SP 1567ph | 8 | 17 |
| B 1818-051-000 511818 | 10 | 30 | THRUST COLLAR | | | SS 7080510 SP 0328ph | 3 | 10 | SS 8152030 SP 1556ph | 2 | 25 |
| B 1820-051-000 511820 | 10 | 18 | CS 0510713 SC S05101 | 5 | 38 | SS 7090520 SP 0921ph | 10 | 38 | SS 8152030 SP 1556ph | 8 | 48 |
| B 1821-041-000 511821 | 10 | 8 | CS 0951015 SH S09502h | 9 | 1 | SS 7090520 SP 0921ph | 11 | 22 | SS 8152030 SP 1556ph | 10 | 22 |
| B 1822-051-000 511822 | 10 | 15 | CS 1401012 SC S14001 | 8 | 41 | SS 7090610 SP 09210ph | 4 | 17 | SS 8152030 SP 1556ph | 10 | 40 |
| B 1823-051-000 511823 | 10 | 6 | NEEDLE | | | SS 7090910 SP 0911ph | 3 | 6 | SS 8152080-SP 1561ph | 8 | 36 |
| B 1824-051-000 511824 | 10 | 14 | MD 1300 2300 | 3 | 11 | SS 7090910 SP 0911ph | 5 | 2 | SS 8620610-SK 6252fh | 7 | 6 |
| B 1830-053-0A0 531830S | 10 | 2 | NUT | | | SS 7090910 SP 0911ph | 5 | 11 | SS 8621340-SP 6255ph | 10 | 29 |
| B 1830-055-0A0 | 10 | 2 | NS 6080210 SP N081ph | 8 | 14 | SS 7110410 SP 1131ph | 11 | 2 | SS 8660410 SK 6653fh | 10 | 21 |
| B 1833-053-000 | 6 | 24 | NS 6110310 SP N112ph | 4 | 22 | SS 7110510 SP 1121ph | 5 | 42 | SS 8660530 SK 6664fh | 9 | 19 |
| B 1833-053-000 531833 | 10 | 36 | NS 6110420 SP N112ph | 10 | 17 | SS 7110540 SP 1127ph | 5 | 39 | SS 8660610 TP 6853fh | 7 | 10 |
| B 1839-053-000 531839 | 11 | 1 | NS 6160520 SP N161ph | 3 | 22 | SS 7110720 SP 1130ph | 11 | 9 | SS 8660670-SK 6656fh | 10 | 26 |
| B 1840-051-000 511840 | 10 | 24 | NS 6620310 SP N621ph | 3 | 17 | SS 7111310 SP 1136ph | 5 | 13 | SS 8660970 SP 6654ph | 9 | 19 |
| B 1841-053-000 531841 | 11 | 3 | NS 6660430 SP N661ph | 4 | 3 | SS 7151210 SP 1522ph | 3 | 28 | SS 8680730-SK 6853fh | 7 | 12 |
| B 1905-053-000 531905 | 6 | 4 | NS 6660430 SP N661ph | 4 | 11 | SS 7181750 TP 6822ph | 6 | 10 | SS 8681650-TP 6851ph | 2 | 7 |
| B 1906-051-000 511906 | 6 | 2 | NS 6680410 SP N681ph | 8 | 43 | SS 7661540 SP 6623ph | 4 | 6 | SS 8681650-TP 6851ph | 6 | 11 |
| B 1907-051-000 511907 | 6 | 5 | NS 6700420 SP N705ph | 3 | 29 | SS 7681750 TP 6822ph | 2 | 8 | SS 8688053-SK 6857fh | 2 | 3 |
| B 3101-053-000 533101 | 1 | 6 | COTTER PIN | | | SS 7762840 SP 7621ph | 10 | 34 | SS 9090640-SP 0981ph | 5 | 27 |
| B 3106-019-000 193106 | 1 | 7 | PD 0231100 OB DP25126 | 5 | 35 | SS 8090530 TP 0958ph | 10 | 44 | SS 9111010 SK 1182fh | 1 | 19 |
| B 3121-051-000 513121 | 11 | 8 | TAPER PIN | | | SS 8090540 TP 0956ph | 6 | 14 | SS 9151440-SP 1592ph | 8 | 8 |
| B 3122-053-000 533122 | 11 | 4 | PT 0301600 SO TP3016 | 3 | 18 | SS 8110510 SP 1151ph | 1 | 12 | WASHER | | |
| B 3123-051-000 513123 | 11 | 23 | SCREW STUD | | | SS 8110510 SP 1151ph | 8 | 23 | WP 0371016-SD W371p | 10 | 13 |
| B 3124-051-000 513124 | 11 | 10 | SD 0260271 SP D026001h | 9 | 12 | SS 8110510 SP 1151ph | 8 | 38 | WP 0480856-SP W431ph | 1 | 20 |
| B 3125-012-000 123125 | 11 | 15 | SD 0470281 SP D047001h | 11 | 6 | ST 8110750 SP 1157ph | 8 | 24 | WS 0651510-KP SW651ph | 8 | 7 |
| B 3126-051-000 513126 | 11 | 11 | SD 0550801-SP D055007h | 5 | 43 | SS 8111251 SP 1158ph | 11 | 24 | | | |
| B 3127-051-000 513127 | 11 | 7 | SD 0630241 SD D06301 | 1 | 3 | SS 8150440-SP 1558ph | 8 | 42 | | | |
| B 3128-051-000 513128 | 11 | 25 | SD 0790361 SP D079101h | 5 | 33 | SS 8150580 SP 15511ph | 10 | 25 | | | |
| B 3129-051-000 513129 | 11 | 14 | SD 0790361 SP D079101h | 5 | 34 | SS 8150710 SP 1555ph | 2 | 21 | | | |

RELATIONSHIP BETWEEN THE NEEDLE AND THE SEWING HOOK

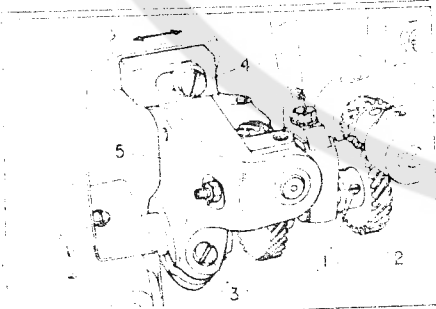
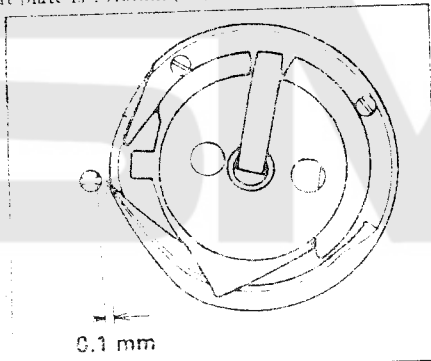
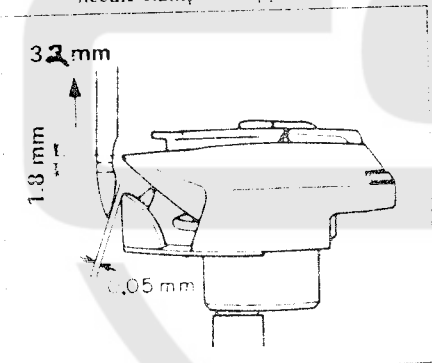
1. Timing of the needle with the sewing hook

First, set the feed amount to "0" and verify that the clearance between the presser bar and the walking bar is 8.5mm (11/32").

Raise up the presser foot and after matching the feed graduator plate to "4", remove the throat plate.

- When the needle has risen 3.3mm (1/8") from the lowest point,
- Match the blade point of the sewing hook with the center of the needle. At this point,
- The clearance between the needle side surface and the blade point of the sewing hook comes to 0.1mm (1/256"),
- The clearance between the needle side surface and the needle guard "2" of the sewing hook comes to 0.05mm (1/512").
- The distance between the upper tip of the thread hole of the needle and the tip of the sewing hook blade comes to 1.8mm (5/64").

(Note) When the needle bar is at the lowest point, the distance between the lower end of the needle clamp and upper surface of the throat plate is 17.6mm (11/16").



- ### 2. How to match the timing of sewing hook
- Loosen the set screw (1) of the large gear of the hook shaft, move the large gear (2) to right and left and when the center of the needle and the blade point of the sewing hook are matched together, tighten the set screw (1). At this point, be careful to see that the center gear of the large gear and the center of the hook shaft do not slide each other.

3. Adjusting the clearance between the needle and blade point of the sewing hook

Make adjustment as follows:

- 1) Remove the presser foot and the throat plate and tilt the machine.
- 2) Loosen the clamp screw (3) and set screw (4) of the hook driving shaft saddle of the adjusting table.
- 3) Turn the hook driving shaft saddle (2) slightly to right and left and by making the clearance between the needle and the blade point of the hook is 0.1mm (1/64"), tighten the clamp screw (3) and set screw (4) firmly.